

FLIGHT HEAD FALCON

The 3-axis gyro-stabilized *Flight Head Falcon* is one of our newest carbon fiber remote camera heads. This innovative, ultra-lightweight, compact and durable remote head enables highly stable dynamic footage. It can be mounted on a variety of moving platforms including regular or telescopic cranes, dollies, tracking systems, camera cars, boats, cable cams and towercams. Falcon offers reliable performance, responsive and precise control as well as highly efficient operation.

- Control via Joystick, Handwheels or Panbar (on request)
- Compact and Lightweight
- Gyro Vertical Horizon Control
- Built-in Shake Generator
- Automatic Drift Compensation
- Angular Position Indication
- Hold Position for Every Axis
- Autohorizon or Steerable Roll
- Recorded Moves
- Wireless Control
- Underslung / Overslung
- Intuitive Touch Screen Display
- Quick-release Camera Plate
- Mount: Mitchell / F Mount / DT Mount

SPECIFICATIONS

Roll range: -255° / $+75^{\circ}$
 Pan range: 360° continuous
 Tilt range -70° / $+250^{\circ}$
 Speed pan 360° / 3sec
 Temp. Range -20°C / $+40^{\circ}\text{C}$
 Head weight: 12,5kg / 27.5lbs

Payload: up to 36kg / 79.3lbs
 on camera cranes

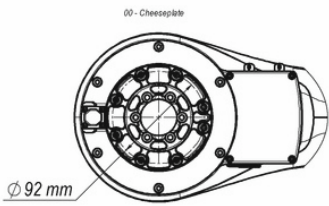
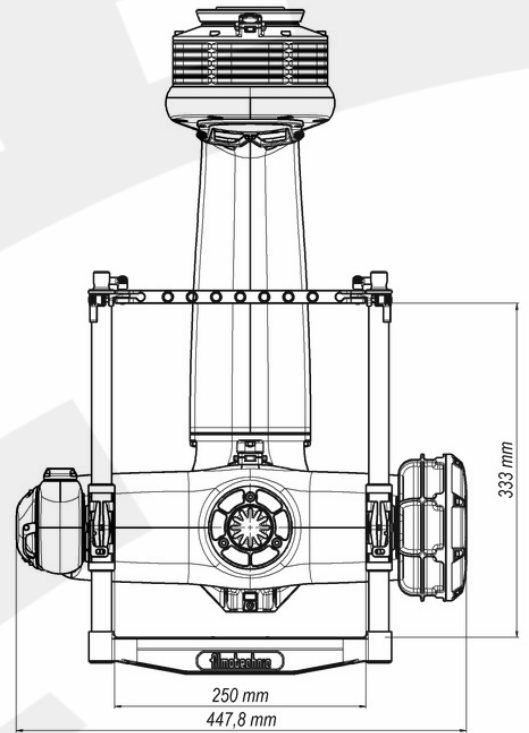
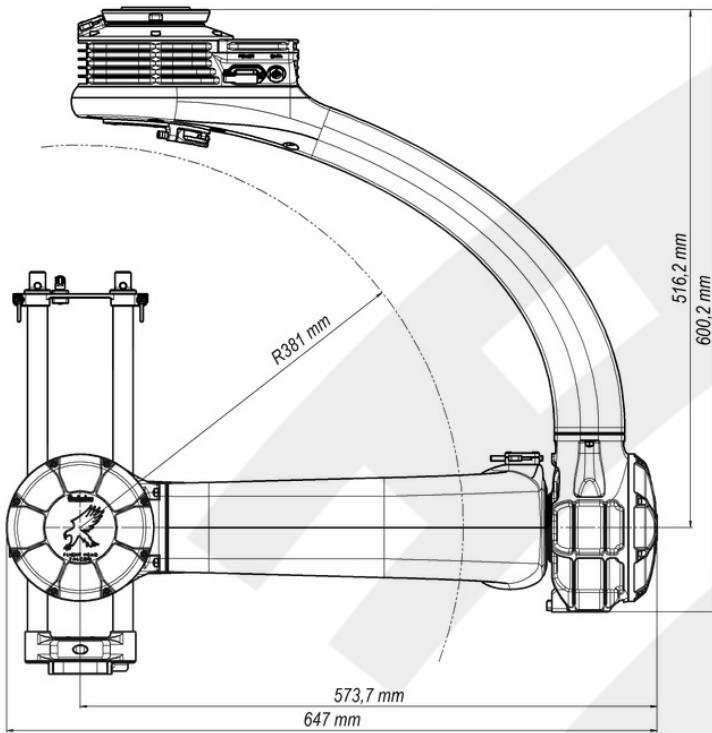
Payload: up to 28kg / 61.7lbs
 on U-Crane arms

POWER REQUIREMENTS

28-32 VDC
 Standby: 2A
 Dynamic Max: 30A



FLIGHT HEAD FALCON



Mitchell Mount



PAN Flanges

F Mount



DT Mount

